

HERSTELLERERKLÄRUNG

Projekt

Firma Adolf Würth GmbH & Co. KG
 Ansprechpartner Herr Jochen Klingert
 Telefon +49 7940 15-1239
 E-Mail Jochen.Klingert@wuerth.com

Gewerk _____
 Einbauort _____

Produktbezeichnung WÜRTH Rohrschelle TIPPO® Smartlock 2 GS Art. Nr. 0543 204 ff
 Anwendung/ Beschreibung Zur Befestigung von Rohrleitungen in der Haus- und
Heizungsinstallation

Menge/behandelte Fläche/Stückzahl _____

VOC Gehalt _____

Anforderungen	Erfüllt	Bemerkung
frei von halogenierten Treibmittel	Ja	
frei HBCD	Ja	
SVHC, Chlorparaffine <0,1%	Ja	
frei von TCEP, PBDE, PBB	Ja	
Borverbindungen <0,1%	Ja	
PB, Sn <0,1%	Ja	

Vorhandene Dokumente

Sicherheitsdatenblatt nicht erforderlich
 Prüfzeugnisse _____
 Sonstiges s. Würth Onlie-Shop



Adolf Würth GmbH & Co. KG
 Reinhold-Würth-Str. 12 - 17
 74653 Künzelsau/Deutschland
 T +49 7940 15-0 · F +49 7940 15-1000
 info@wuerth.com · www.wuerth.de

01.07.2022

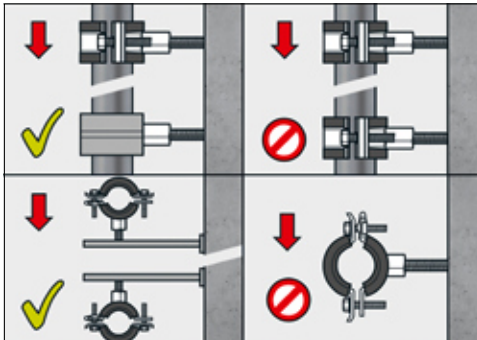
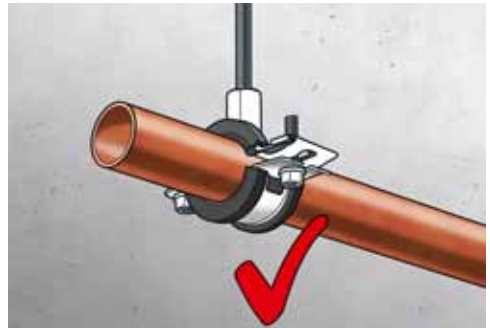
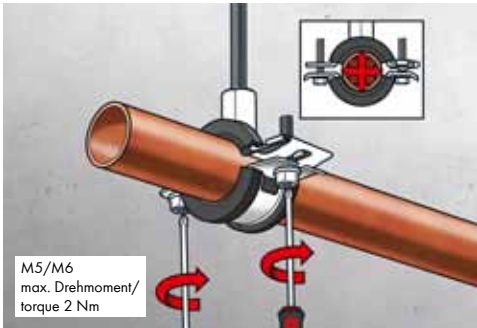
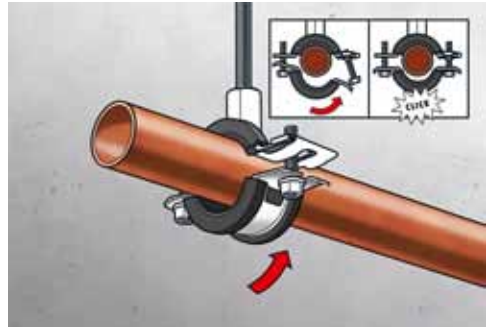
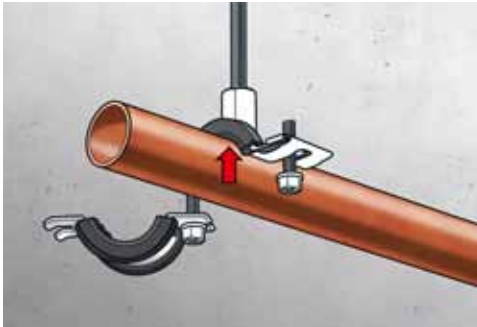
Datum

Unterschrift _____

MONTAGEANLEITUNG / ASSEMBLY INSTRUCTION

TIPP® SMARTLOCK 2GS

Art. 0543 204 015 – Art. 0543 204 169



Adolf Würth GmbH & Co. KG
Attn. Mr Thomas Sailer
Reinhold-Würth-Straße 12 - 17
74653 Künzelsau

Letter**13885/2019**

Our Ref.: (2102/098/19)-CM
Customer No.: 1450
Engineer/official in charge: C. Maertins
Department: BS
Contact: 0531-391-8265
c.maertins@ibmb.tu-bs.de

Your Ref.: Thomas.Sailer@wuerth.com
Your message of: -

Date: 09/08/2019

**Expert Opinion No. (3465/536/14) – CM dated 03/07/2014
on Würth pipe clamps TIPP®SMARTLOCK 2GS**

Dear Mr Sailer,

Referring to your enquiry, we herewith inform you that the statements made in the above-mentioned Expert Opinion No. (3465/536/14) – CM dated 03/07/2014 on Würth pipe clamps TIPP®SMARTLOCK 2GS M8/M10 (2GS 11/15 to 2GS 159/169) in conjunction with threaded rods and fastened in rigid structural elements with regard to the loadbearing capacity and deformation under exposure to fire along the standard temperature-time curve in accordance with DIN EN 1363-1 remain valid.

Special notes

The above-mentioned expert opinion applies only with regard to fire safety. Further requirements may arise from the technical building regulations and the respective State Building Code, or the regulations for special constructions – for example, with regard to structural physics, statics, electrical engineering, ventilation engineering, or similar.

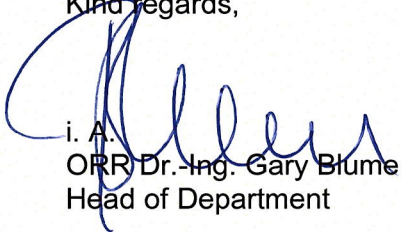
This above-mentioned expert opinion is no certificate of suitability for use in a building control procedure. The manufacturer/erector of the construction is obliged to furnish the respective proof.

This expert opinion may only be circulated as a complete text without alterations. Excerpts or abridged versions of this document are subject to approval in writing of MPA Braunschweig. Translations of this document that are made without the approval of MPA Braunschweig must bear the note "translation of the German original not examined by MPA Braunschweig". Documents without signature are invalid. This expert opinion was independently of build code approvals and is not subject to accreditation.

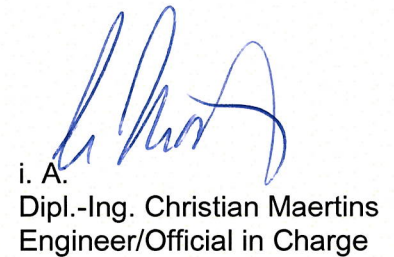
The validity of Expert Opinion No. (3465/536/14) – CM dated 03/07/2014 in conjunction with this extension expires on 03/07/2024.

This document is the translated version of Letter No. 13885/2019 dated 09/08/2019. The legally binding text is the aforementioned German letter.

Kind regards,



i. A.
ORR Dr.-Ing. Gary Blume
Head of Department



i. A.
Dipl.-Ing. Christian Maertins
Engineer/Official in Charge

Expert Opinion

– Translation –

Document number: (3465/536/14) – CM dated 03/07/2014

Customer: Adolf Würth GmbH & Co. KG
Reinhold-Würth-Straße 12-17
74653 Künzelsau

Order date: 26/06/2014

Order ref.: Mr Sailer

Order received: 26/06/2014

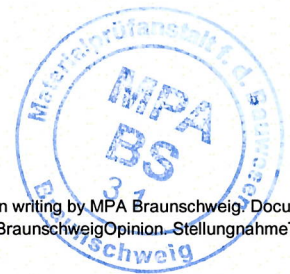
Subject: Assessment of the behaviour of Würth pipe clamps
TIPP@SMARTLOCK 2GS M8/M10 (2GS 11/15 to 2GS
159/169) in conjunction with threaded rods under exposure to
fire in accordance with the standard temperature time curve
as per DIN EN 1363-1 : 1999-10

Basis for assessment: See Section 1

Valid until: 03/07/2019

This expert opinion comprises 8 pages including cover sheet and 1 Annex.

This expert opinion is no substitute for the certificate of suitability for use (abP, abZ, ETA) in accordance with German supervisory authority approval requirements.



This expert opinion may only be distributed if complete and unchanged. Extracts or abbreviated versions must be approved in writing by MPA Braunschweig. Documents which have no signature or stamp are invalid. The cover sheet and signature page of this document bear the stamp of MPA Braunschweig. The test material was fully used.

Materialprüfanstalt (MPA)
für das Bauwesen
Beethovenstraße 52
D-38106 Braunschweig

Phone+49 (0)531-391-5400
Fax +49 (0)531-391-5900
info@mpa.tu-bs.de
www.mpa.tu-bs.de

Norddeutsche LB Hannover
106 020 050 BLZ 250 500 00
Swift-Code: NOLADE 2H
VAT ID: DE183500654
Tax no.: 14/201/22859
IBAN: DE58250500000106020050

Notified body (0761-CPD)
MPA Braunschweig is an accredited and notified body for
Construction Supervisory Authority testing, monitoring,
inspection and certification. MPA Braunschweig is also an
accredited testing and calibration laboratory in
accordance with ISO/IEC 17025 and an accredited
inspection agency in accordance with ISO/IEC 17020.

Content

1	General	2
2	Structural design and proposal for assessment	3
2.1	General requirements	5
2.2	Proposal for assessment of the clamp mounting systems (assessment with regard to maximum load).....	5
2.3	Proposal for assessment of the clamp mounting systems (assessment with regard to deformation), taking the requirements of the Model Conduit Systems Directive (German designation: MLAR), edition of 17/11/2005 into account	5
3	Special notes.....	7

1 General

With the letter of 26/06/2014 Messrs. Würth ordered the preparation of an Expert Opinion on the Würth mounting system TIPP®SMARTLOCK 2GS.

The Expert Opinion was prepared on the basis of the tests carried out with Würth pipe clamps TIPP®SMARTLOCK 2GS M8/M10 (2GS 11/15 to 2GS 159/169) in conjunction with threaded rods under exposure to fire in accordance with the standard temperature time curve as per DIN EN 1363-1 : 1999-10.

The documents serving as basis for the Expert Opinion are listed as follows (German version):

- [1] DIN EN 1363-1 : 1999-10, Fire resistance tests -Part 1: General Requirements
- [2] DIN 4102-4 : 1994-03, Fire behaviour of building materials and building components,
- [3] Specimen guideline on fire protection requirements pertaining to conduits (Specimen Conduit Guideline [German designation: MLAR]), edition of 17/11/2005,
- [4] Test Report No. (3178/178/13) – CM of 09/05/2014, issued by MPA Braunschweig,
- [5] Technical data sheets of the customer for Würth pipe clamps TIPP®SMARTLOCK 2GS.

The Würth pipe clamps TIPP®SMARTLOCK 2GS are assessed on the basis of the fire tests carried out. Currently, the existing technical directives and specifications do not provide a complete concept for assessment for clamp mounting systems. At present, there is no certificate from the building authorities (e.g., ETA) for the Würth mounting systems TIPP®SMARTLOCK 2GS, which specifies the case of fire.

On the basis of the tests carried out, the Würth pipe clamps TIPP@SMARTLOCK 2GS M8/M10 (2GS 11/15 to 2GS 159/169) are to be assessed regarding their fire resistance time and the necessary minimum clearance to underlying components (e.g. suspended ceilings).

2 Structural design and proposal for assessment

The Würth pipe clamps TIPP@SMARTLOCK 2GS are mounting systems made from galvanized steel that are used to fix pipes under primarily dead loads.

The pipe clamps consist of two metal strips (galvanized steel) provided with a prefabricated EPDM rubber profile insert. The upper clamp strip of the Würth pipe clamps TIPP@SMARTLOCK 2GS is provided with a welded connecting head for M8/M10 threads. The strips are connected with each other via a locking screw on both sides.

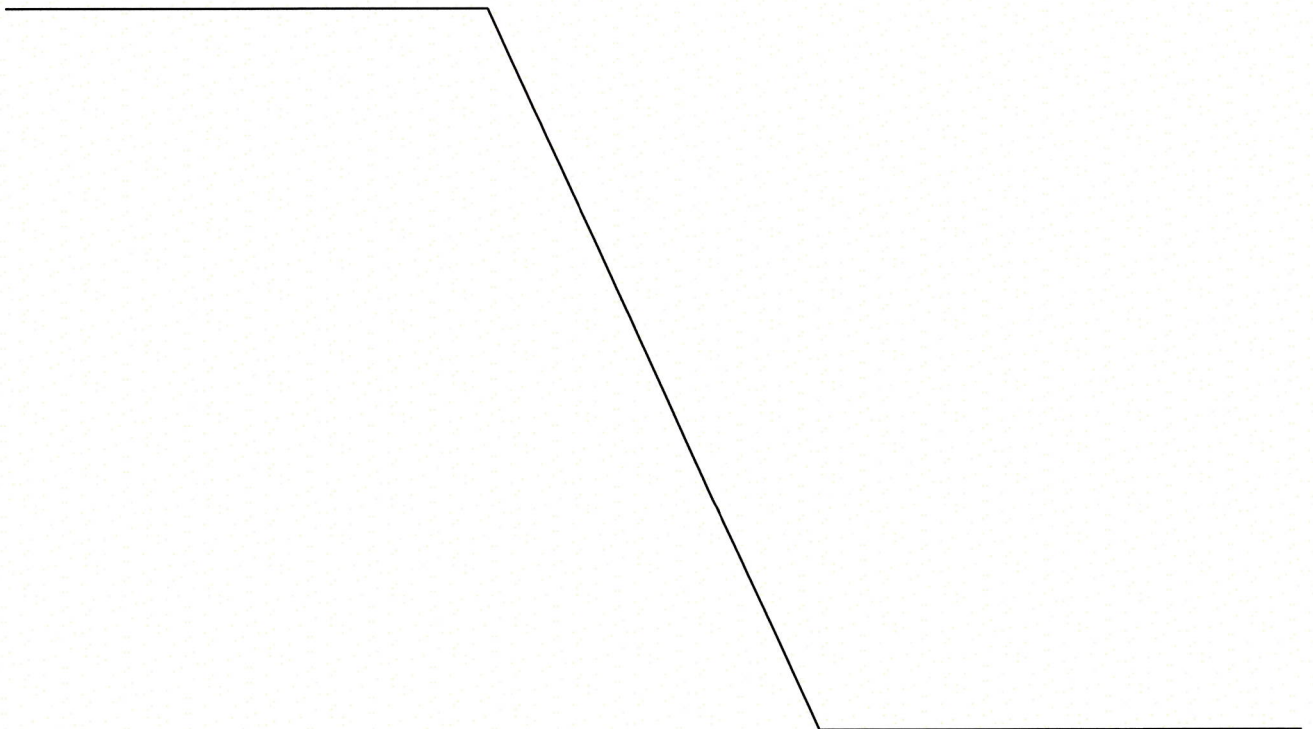


Table 1: Product range of Würth pipe clamps TIPP®SMARTLOCK 2GS

Designation		Clamp strip	Article number	
Würth pipe clamps TIPP®SMARTLOCK 2GS		Width x material thickness		
Clamping range	Nominal size			
[mm]	[inch]	[mm]		
11-15	1/4"	20.0 x 1.50	0543 204	015
15-19	3/8"		0543 204	019
21-23	1/2"		0543 204	023
26-28	3/4"		0543 204	028
32-35	1"	20.0 x 1.50	0543 204	035
40-43	1 1/4"	23 x 2.00	0543 204	043
48-56	1 1/2"		0543 204	056
57-63	2"		0543 204	063
63-70	-		0543 204	070
74-80	2 1/2"		0543 204	080
81-85	-		0543 204	085
85-91	3"		0543 204	091
91-95	-		0543 204	095
96-100	-		0543 204	100
100-105	-		0543 204	105
108-114	4"		0543 204	114
115-125	-		0543 204	125
125-135	-		0543 204	135
135-140	5"		0543 204	140
140-144	-		0543 204	144
150-158	-		0543 204	158
159-169	6"	0543 204	169	

The Würth pipe clamps TIPP®SMARTLOCK 2GS are regulated for use at ambient temperature (cold state) in the Technical Datasheets of Adolf Würth GmbH & Co. KG.

2.1 General requirements

To ensure the functioning of the load-carrying system, the following boundary conditions are to be observed. The structural design of the clamp mounting systems is also included in Annex 1.

The following assessment for the Würth pipe clamps rules out use of the pipe clamps for structures that have to meet the requirements of a fire resistance class or a functional integrity class as overall system, e.g. **cable systems with built-in functional integrity** and **class E cable conduits** as per DIN4102-12 : 1998-11. For these types of application, further assessments and verification of the system as a whole are necessary.

2.2 Proposal for assessment of the clamp mounting systems (assessment with regard to maximum load)

Based on the available test results, fire resistance times according to the following table are recommended for the TIPP®SMARTLOCK 2GS -M8/M10 (2GS 11/15 to 2GS 159/169) pipe clamps made from galvanized steel, as a function of the maximum load and with one-sided exposure to fire in accordance with DIN EN 1363-1 : 1999-10.

Table 2-1: Fire resistance time of TIPP®SMARTLOCK 2GS -M8/M10 (2GS 11/15 to 2GS 159/169) made from galvanized steel in conjunction with corresponding threaded rods (M8 or M10, strength class ≥ 4.8) as a function of the maximum load

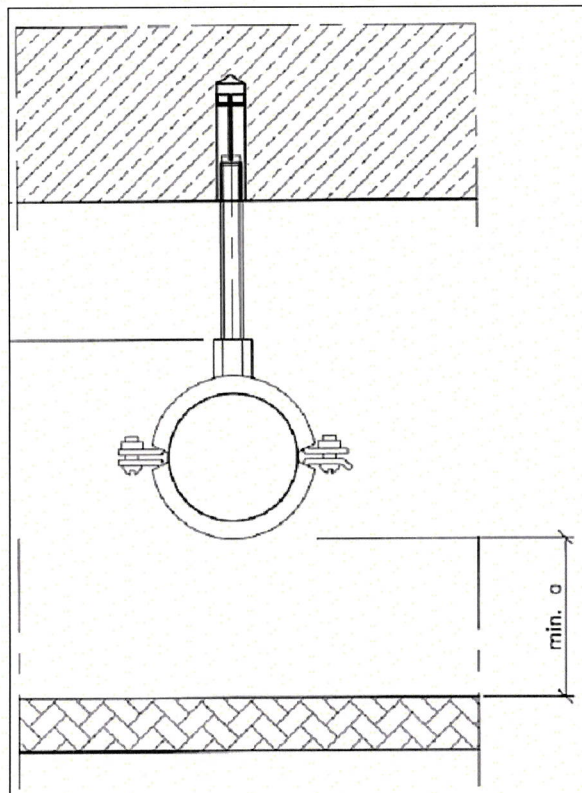
Würth pipe clamps TIPP®SMARTLOCK 2GS Clamping range [mm]	Fire resistance time as a function of the maximum load		
	t [min]		
	30	60	90
	max. N [kN]		
TIPP®SMARTLOCK 2GS 11/15 to 26/28	0.28	0.17	0.12
TIPP®SMARTLOCK 2GS 32/35 to 96/100	0.38	0.23	0.17
TIPP®SMARTLOCK 2GS 100/105 to 159/169	0.32	0.17	0.10

2.3 Proposal for assessment of the clamp mounting systems (assessment with regard to deformation), taking the requirements of the Specimen Conduit Guideline (German designation: MLAR), edition of 17/11/2005 into account

If requirements of the Specimen Conduit Guideline (MLAR, edition of 17/11/2005, Section 3.5.3) have to be met, it is often necessary – with fire exposure in accordance with the standard temperature time curve – to limit the loads with regard to a fire resistance time of 30 minutes, while keeping a minimum clearance of a ≥ 50 mm (see Fig. 2.1).

For applications of the Würth pipe clamps, those loads are indicated in the following that allow for excluding larger temperature-dependent vertical deformations of the Würth pipe clamps. With the loads indicated and a minimum clearance kept of a ≥ 50 mm (e.g., between the top side of the suspended ceiling and the underside of the Würth pipe clamps), fire-protection-related impairments (e.g. of a suspended ceiling) due to deformation under exposure to fire of the Würth pipe clamps can be excluded.

Fig. 2-1: Exemplary view of the installation of Würth pipe clamps in areas between ceilings where the suspended ceiling is of relevance for fire protection



The following table lists maximum loads for Würth pipe clamps for a minimum clearance of $a \geq 50$ mm to underlying components for suspension heights of $h \leq 500$ mm.

Table 2-2: Maximum loads for Würth pipe clamps TIPP@SMARTLOCK 2GS M8/M10 (2GS 11/15 to 2GS 159/169) made from galvanized steel only in conjunction with corresponding threaded rods (M8 or M10, strength class ≥ 4.8) and a suspension height of $h \leq 500^{2)}$ mm with a fire resistance time of 30 minutes and a minimum clearance of $a \geq 50^{1)}$ mm

Würth pipe clamps TIPP@SMARTLOCK 2GS	Fire resistance time of 30 minutes Suspension height $a \leq 500$ mm max N [kN]
Clamping range	
[mm]	
TIPP@SMARTLOCK 2GS 11/15 to 26/28	0.26
TIPP@SMARTLOCK 2GS 32/35 to 96/100	0.34
TIPP@SMARTLOCK 2GS 100/105 to 159/169	0.32

¹⁾ The minimum clearance min a refers to deformations of the clamp systems resulting from exposure to fire; additional deformation, e.g. due to the installation (the pipes, pipe clamps, ...) has to be assessed separately if required.

²⁾ Longer suspensions (maximum suspension height: 1500 mm) can be calculated taking the thermal length variation of the threaded rods into account.

The installation has to be carried out in accordance with Sections 2.1 to 2.3 and Annex 1.

3 Special notes

3.1 This Expert Opinion is no substitute for the certificate of suitability for use (abP, abZ, ETA) in accordance with German supervisory authority approval requirements.

3.2 This Expert Opinion applies only to the tested Würth pipe clamps TIPP@SMARTLOCK 2GS M8/M10 (2GS 11/15 to 2GS 159/169) made from galvanized steel taking into account the constraints listed in the technical data sheets of the test report or, respectively, the applicable technical data sheets published by Adolf Würth GmbH & Co. KG.

3.3 This Expert Opinion for the above mentioned mounting systems applies only in conjunction with the corresponding threaded rods (strength class ≥ 4.8) as well as components that can be classified in at least the same fire resistance class as the mounting systems.

3.4 Fasteners in possession of the appropriate fire rating (fire resistance classification) have to be used to fasten the mounting systems to structural ceilings or wall constructions of the corresponding fire resistance class.

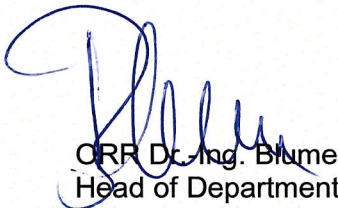
Dowels have to be suitable for the subfloor and the type of application and have to comply with the applicable requirements of the national technical approvals (abZ) issued by the DIBt (German Institute for Construction Technology), Berlin or a European Technical Assessment (ETA). If the abZ approval or ETA does not specify the fire behaviour of the fasteners, these are to be installed with $2h_{ef}$ (double embedment depth) – however, at least with a depth of 6 cm – and a maximum computational tensile load per dowel of 500 N (see DIN 4102-4: 1994-03, Section 8.5.7.5). The effective embedment depth (h_{ef}) is to be taken from the applicable

approval. Alternatively, those dowels may be used the suitability of which in terms of fire protection was proved by a general appraisal certificate or a fire protection certificate (e.g., test and assessment by an authorised inspection authority).

Dowels are to be installed in accordance with the technical documentation (assembly directives), normally in accordance with the requirements as stated in the approval (abZ or ETA) or in the general appraisal certificate (abP). In any case, the suitability of the dowels for the subfloor and the type of application has to be proved also for the cold as-installed condition.


3.5 The validity of this Expert Opinion No. (3465/536/14) – CM ends on 03/07/2019.

*This document is the translated version of Expert Opinion No. 3465/536/14 – CM dated 03/07/2014.
The legally binding text is the aforementioned German Expert Opinion.*

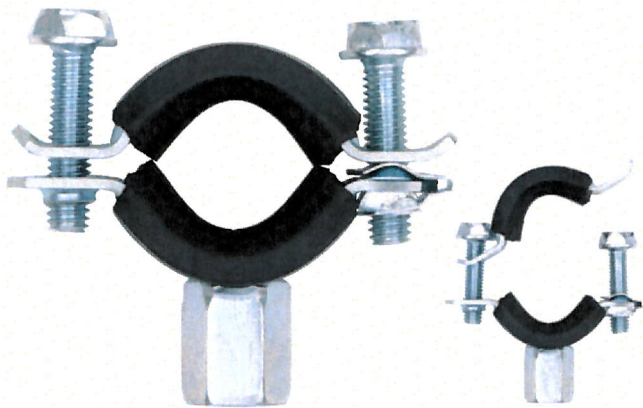

ORF Dr.-Ing. Blume
Head of Department



Braunschweig, 03/07/2014


i.A.
Dipl.-Ing. Maertins
Engineer/Official in charge

TIPP SMARTLOCK 2 GS® PIPE CLAMP



- Practical, proven SMARTLOCK closure for fast, economical fastening of pipes.
- Wide opening of pipe clamp possible, enabling fast, simple laying in of pipe, especially during overhead installation.
- 2 locking screws for improved adjustment to pipe dimensions.
- Locking notches on both sides against losing the screws.
- Hexagon-head clamping screws (wrench size 10) and additional inside drive.
- Up to clamping range 26 – 28 mm: M6 x 25 mm; all other dimensions: M6 x 30.
- New rubber insert type for improved sliding of the pipes when aligning during premounting and secure hold of the rubber insert using a new profile type.
- Combination nut connection M8/M10, wrench size 13, welded at four points.
- Practical ORSY® packaging with carry handle.

Rubber insert:

- Temperature resistant from – 40°C to + 120°C; EPDM.
- Fire behavior B2, does not drip off while burning.
- Silicone-free, sound insulation for DIN 4109.

Clamping range in mm	Steel DIN EN10255 in inches	Copper DIN EN 1057 in mm	Composite pipes in mm	HT pipe in DN	SML pipe in DN	Connection thread	Max. recom. load N	Art. No.	P. Qty.
11 - 15	1/4"	12/15	12/15			M8/M10	1,200	0543 204 015	150
15 - 19	3/8"	15/18	16/18			M8/M10	1,200	0543 204 019	
21 - 23	1/2"	22	22			M8/M10	1,200	0543 204 023	
26 - 28	3/4"	28	28			M8/M10	1,200	0543 204 028	125
32 - 35	1"	35	35			M8/M10	1,200	0543 204 035	100
40 - 43	1 1/4"	42	42	40		M8/M10	1,500	0543 204 043	75
48 - 56	1 1/2"	54	50/54	50	40	M8/M10	1,500	0543 204 056	60
57 - 63	2"				50	M8/M10	1,500	0543 204 063	50
63 - 70		64	63			M8/M10	1,500	0543 204 070	
74 - 80	2 1/2"	76.1	75/76.1	70	70	M8/M10	1,500	0543 204 080	40
81 - 85					80	M8/M10	1,500	0543 204 085	30
85 - 91	3"	88.9	88.9/90			M8/M10	1,800	0543 204 091	
91 - 95*						M8/M10	1,800	0543 204 095	25
96 - 100*						M8/M10	1,800	0543 204 100	20
100 - 105*						M8/M10	1,800	0543 204 105	
108 - 114	4"	108	108/110	100	100	M8/M10	1,800	0543 204 114	
115 - 125*						M8/M10	1,800	0543 204 125	15
125 - 135			125			M8/M10	1,800	0543 204 135	10
135 - 140	5"	133			125	M8/M10	1,800	0543 204 140	
140 - 144*						M8/M10	1,800	0543 204 144	
150 - 158*						M8/M10	1,800	0543 204 158	
159 - 169	6"	159	160	150	150	M8/M10	1,800	0543 204 169	

*For special sizes of HT pipe, PVC pressure pipe DIN 8062, precision pipe DIN 2391 and stainless-steel pipe DIN EN 10296



Recognized Testing Laboratory by the VMPA
Acoustic Testing VMPA-SPG-129-97-SN

MFPA Leipzig GmbH

Testing, Inspection and Certification Authority for
Construction Products and Construction Types

Leipzig Institute for Materials Research and Testing
Business Division IV - Building Physics
Prof. Dr.-Ing. habil. Peter Bauer

Work Group 4.2 - Sound Protection

Dipl.-Ing. M. Busch

Phone: +49 (0) 341 - 6582-163
m.busch@mfpa-leipzig.de

Dipl.-Phys. D. Sprinz

Phone: +49 (0) 341 - 6582-115
sprinz@mfpa-leipzig.de

Result Report No. PB 4.2/13-163-24

- English version of Result Report PB 4.2/13-163-24 dated
27 February 2017-

24 September 2014

No. Copy 7

Subject matter: Structure-borne sound insulation properties of fixings of steel pipes with various outer diameters in pipe clamps designated as Würth Tipp Smartlock 2 GS pipe clamp

Client: Adolf Würth GmbH & Co. KG
Reinhold-Würth-Str. 12-17
74653 Künzelsau
Germany

Date of order: 23 July 2014

Sample receipt: 29th calendar week 2014

Date of test: 19 August 2014

Responsible for preparation: Dipl.-Ing. M. Busch
Dipl.-Phys. D. Sprinz

This test report covers 3 sheets.

This report may only be reproduced in its unabbreviated form. All publication, even in excerpts, requires the prior written permission of MFPA Leipzig GmbH. The legal binding form is the written form with the original signatures and original stamp of the authorized signatory / signatories.

General terms and conditions of MFPA Leipzig GmbH are valid.

Notified testing laboratories, inspection bodies and certification bodies recognized according to the Construction Products Regulation (NB 800) and the State Building Code (SAC 02).

Gesellschaft für Materialforschung und Prüfungsanstalt für das Bauwesen Leipzig mbH (MFPA Leipzig GmbH)

Head Office: Hans-Weigel-Str. 2b – 04319 Leipzig/Germany
Managing Director: Prof. Dr.-Ing. Frank Dehn
Comm. Register: Local Court Leipzig HRB 17719
VAT-ID: DE 813200649
Tel.: +49 (0) 341 - 6582-0
Fax: +49 (0) 341 - 6582-135

1 Definition of the task

For pipe clamps by the client

Adolf Würth GmbH & Co. KG
Reinhold-Würth-Str. 12-17
74653 Künzelsau
Germany,

which are designated as Würth Tipp Smartlock 2 GS pipe clamp, the structure-borne sound insulation effect was measured at the test bench of MFPA Leipzig for various clamping ranges with clamped steel pipes. The results of these measurements are to be specified and the values for other clamping ranges for which no measurements were performed are to be determined by interpolation. The established structure-borne sound insulation effects are indicated in the form of prescribed single number values.

2 Documents

The following documents are available:

- [1] Reports by MFPA Leipzig GmbH, no. PB 4.2/13-163-15, -17, -19, -21, -22, dated 21/08/2014
- [2] Client's pipe clamps overview sheet for the tested and other clamping ranges of the pipe clamps; submitted to the test centre on 17/07/2014

3 Performed measurements

As described in [1], the test set-up, which was designed according to the client's specifications, consisted of a horizontally positioned, flexibly mounted reinforced concrete slab with two threaded rods protruding from the slab. The two pipe clamps to be tested with a steel pipe clamped between them were screwed to the threaded rods (pipe clamp distance 1600 mm). The steel pipe with a length of 2000 mm and an outer diameter suitable for the clamp was inserted in the two pipe clamps and the locking screws were tightened using the specified tightening torque.

The structure-borne sound was excited at predetermined points using the small hammer mechanism (Gösele system). At the pipe (source side) and at the reinforced concrete slab surface (receiving side), the acceleration levels L_a were measured at predetermined points using an accelerometer. The velocity level differences between source side and receiving side which were inferred from these measurements serve as a measure for the structure-borne sound insulation effects. The corresponding single number values of the structure-borne sound insulation effects were calculated by energetically averaging all measured velocity level differences ΔL_v in one-third octave band frequencies from 100 Hz to 3150 Hz.

4 Specifications of the structure-borne sound insulation effects

Table 1 (fields highlighted in green) indicates the single number values of the structure-borne sound insulation effects which were determined in the measurements according to section 3 for the measured clamping ranges.

For the other clamping ranges of the pipes (not highlighted in green in Table 1), the indicated single number values were calculated by linear interpolation between the values determined in the measurements.

Table 1: tested and interpolated single number values of the structure-borne sound insulation effects in the one-third octave band frequency range from 100 Hz to 3150 Hz for various clamping ranges of the Würth Tipp Smartlock 2 GS pipe clamps regarding their use for steel pipes (the versions tested acc. to [1] are marked in green)

Pipe clamp clamping range [mm]	Single number value of the structure-borne sound insulation effects [dB]		see report no.
	Interpolated value	Test value	
11 – 15	39*		
15 – 19		39	PB 4.2/13-163-15
21 – 23	38		
26 – 28	37		
32 – 35		36	PB 4.2/13-163-17
40 – 43	35		
48 – 56	33		
57 – 63	32		
63 – 70	31		
74 – 80		30	PB 4.2/13-163-19
81 – 85	30		
85 – 91	30		
96 – 100	30		
100 – 105	30		
108 – 114		30	PB 4.2/13-163-21
115 – 125	29		
125 – 135	28		
135 – 140	27		
140 – 144	26		
150 – 158	24		
159 – 169		22	PB 4.2/13-163-22

* extrapolated value


5 Notes

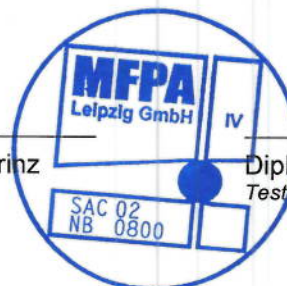
The determined values can be used as a measure for the structure-borne sound insulation effect of the pipe clamps with steel pipes. The determined values do not constitute measures for the insertion loss.

The results of the tests exclusively refer to the described test objects but not to the main unit. This document does not replace a certificate of conformity or suitability according to national and European building codes.

Leipzig, 27 February 2017


Prof. Dr.-Ing. P. Bauer
Head of Business Division


Dipl.-Phys. D. Sprinz
Head of Work Group




Dipl.-Ing. M. Busch
Testing Engineer

Adolf Würth GmbH & Co. KG
Herrn Thomas Sailer
Reinhold-Würth-Straße 12 - 17
74653 Künzelsau

Schreiben**13885/2019**

Unsere Zeichen:	(2102/098/19)-CM
Kunden-Nr.:	1450
Sachbearbeiter:	Herr Maertins
Abteilung:	BS
Kontakt:	0531-391-8265 c.maertins@ibmb.tu-bs.de
Ihre Zeichen:	Thomas.Sailer@wuerth.com
Ihre Nachricht vom:	-
Datum:	09.08.2019

**Gutachterliche Stellungnahme Nr. (3465/536/14) – CM vom 03.07.2014, Würth Rohrschellen
TIPP®SMARTLOCK 2GS**

Sehr geehrter Herr Sailer,

auf Grund Ihrer Anfrage teilen wir Ihnen mit, dass die in der o.g. gutachterlichen Stellungnahme Nr. (3465/536/14) – CM vom 03.07.2014 gemachten Aussagen, zu Würth Rohrschellen TIPP®SMARTLOCK 2GS M8/M10 (2GS 11/15 bis 2GS 159/169) in Verbindung mit Gewindestangen und befestigt in Massivbauten, hinsichtlich der Tragfähigkeit und der Verformung bei einer Brandbeanspruchung nach der Einheits-Temperaturzeitkurve gemäß DIN EN 1363-1 weiterhin Gültigkeit besitzen.

Besondere Hinweise

Diese o.g. gutachterliche Stellungnahme gilt nur in brandschutztechnischer Hinsicht. Aus den für die Leitungsanlagen gültigen technischen Baubestimmungen und der jeweiligen Landesbauordnung bzw. den Vorschriften für Sonderbauten können sich weitergehende Anforderungen ergeben - z. B. Bauphysik, Statik, Elektrotechnik, Lüftungstechnik o. ä.

Diese gutachterliche Stellungnahme darf nur vollständig und unverändert weiterverbreitet werden. Auszüge oder Kürzungen bedürfen der schriftlichen Genehmigung der MPA Braunschweig. Von der MPA nicht veranlasste Übersetzungen dieses Dokuments müssen den Hinweis „Von der Materialprüfanstalt für das Bauwesen, Braunschweig, nicht geprüfte Übersetzung der deutschen Originalfassung“ enthalten. Dokumente ohne Unterschrift haben keine Gültigkeit. Diese gutachterliche Stellungnahme wird unabhängig von erteilten bauaufsichtlichen Anerkennungen erstellt und unterliegt nicht der Akkreditierung.

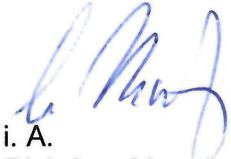
Diese o.g. gutachterliche Stellungnahme stellt keinen Verwendbarkeitsnachweis im bauaufsichtlichen Verfahren dar. Die Führung eines entsprechenden Nachweises obliegt dem Hersteller/Errichter der Konstruktion.

Die Gültigkeit der gutachterlichen Stellungnahme Nr. (3465/536/14) – CM vom 03.07.2014 in Verbindung mit dieser Verlängerung endet am 03.07.2024.

Mit freundlichen Grüßen



i. A.
CRR Dr.-Ing. Blume
Fachbereichsleiter



i. A.
Dipl.-Ing. Maertins
Sachbearbeiter

Gutachterliche Stellungnahme

Dokumentnummer: (3465/536/14) – CM vom 03.07.2014

Auftraggeber: Adolf Würth GmbH & Co. KG
Reinhold-Würth-Straße 12-17
74653 Künzelszau

Auftrag vom: 26.06.2014

Auftragszeichen: Hr. Sailer

Auftragseingang: 26.06.2014

Inhalt des Auftrags: Bewertung von Würth Rohrschellen TIPP®SMARTLOCK 2GS M8/M10 (2GS 11/15 bis 2GS 159/169) in Verbindung mit Gewindestangen auf Brandverhalten bei einer Beflammung nach der Einheits-Temperaturzeitkurve gemäß DIN EN 1363-1 : 1999-10

Beurteilungsgrundlage: Siehe Abschnitt 1

Gültigkeitsdauer 03.07.2019

Diese gutachterliche Stellungnahme umfasst 8 Seiten inkl. Deckblatt und 1 Anlage.

Diese gutachterliche Stellungnahme ersetzt nicht den Verwendbarkeitsnachweis (abP, abZ, ETA) nach dem deutschen bauaufsichtlichen Verfahren.



Diese gutachterliche Stellungnahme darf nur vollständig und unverändert weiterverbreitet werden. Auszüge oder Kürzungen bedürfen der schriftlichen Genehmigung der MPA Braunschweig. Dokumente ohne Unterschrift und Stempel haben keine Gültigkeit. Das Deckblatt und die Unterschriftenseite dieses Dokuments sind mit dem Stempel der MPA Braunschweig versehen. Gutachterliche Stellungnahmen unterliegen nicht der Akkreditierung. Das Probenmaterial ist verbraucht.

Inhalt

1	Allgemeines	2
2	Konstruktiver Aufbau und Bemessungsvorschlag.....	3
2.1	Allgemeine Anforderungen.....	5
2.2	Bemessungsvorschlag für die Schellenmontagesysteme (Bewertung hinsichtlich der max. Belastung)	5
2.3	Bemessungsvorschlag für die Schellenmontagesysteme (Bewertung hinsichtlich der Verformungen), unter Berücksichtigung der Anforderungen der Muster-Leitungsanlagen-Richtlinie (MLAR), Fassung vom 17.11.2005	5
3	Besondere Hinweise	7

1 Allgemeines

Mit Schreiben vom 26.06.2014 beauftragte die Firma Würth die Erstellung einer gutachterlichen Stellungnahme zum Würth Montagesystem TIPP®SMARTLOCK 2GS.

Grundlagen zur Erstellung der gutachterlichen Stellungnahme sind die Untersuchungen an Würth Rohrschellen TIPP®SMARTLOCK 2GS M8/M10 (2GS 11/15 bis 2GS 159/169) in Verbindung mit Gewindestangen bei einer Brandbeanspruchung nach der Einheitstemperaturzeitkurve gemäß DIN EN 1363-1 : 1999-10.

Die Grundlagen zum Gutachten sind nachfolgend aufgeführt :

- [1] DIN EN 1363-1 : 1999-10, Feuerwiderstandprüfungen Teil 1: Allgemeine Anforderungen,
- [2] DIN 4102-4 : 1994-03, Brandverhalten von Baustoffen und Bauteilen,
- [3] Muster-Richtlinie über brandschutztechnische Anforderungen an Leitungsanlagen (Muster-Leitungsanlagen-Richtlinie (MLAR)) in der Fassung vom 17.11.2005,
- [4] Prüfbericht Nr. (3178/178/13) – CM vom 09.05.2014, ausgestellt durch die MPA Braunschweig,
- [5] Technische Datenblätter des Auftraggebers zu den Würth Rohrschellen TIPP®SMARTLOCK 2GS .

Die Bemessung für die Würth Rohrschellen TIPP®SMARTLOCK 2GS erfolgt auf Grundlage der durchgeführten Brandprüfungen. Die existierenden Technischen Richtlinien und Technischen Spezifikationen stellen derzeit für den Brandfall kein vollständiges Bemessungskonzept für Schellenmontagesysteme zur Verfügung. Derzeit existiert für die Würth Montagesysteme TIPP®SMARTLOCK 2GS kein bauaufsichtlicher Nachweis (z.B. ETA), der den Brandfall regelt.

Auf der Grundlage der durchgeführten Prüfungen sollen die Würth Rohrschellen TIPP®SMARTLOCK 2GS M8/M10 (2GS 11/15 bis 2GS 159/169) hinsichtlich der Feuerwiderstandsdauer und der erforderlichen Mindestabstände zu darunter angeordneten Bauteilen (z.B. Unterdecken) bewertet werden.

2 Konstruktiver Aufbau und Bemessungsvorschlag

Die Würth Rohrschellen TIPP®SMARTLOCK 2GS sind Montagesysteme aus galvanisch verzinktem Stahl, die für die Befestigung von Rohren unter vorwiegend ruhender Belastung verwendet werden.

Die Rohrschellen bestehen aus je zwei Metallbändern (galvanisch verzinkter Stahl), die über eine vormontierte EPDM-Profilgummi-Einlage verfügen. Am oberen Schellenband der Würth Rohrschellen TIPP®SMARTLOCK 2GS befindet sich ein aufgeschweißter Anschlusskopf für Gewinde M8/M10. Die Bandteile sind beidseitig mit einer Verschlusschraube verbunden.

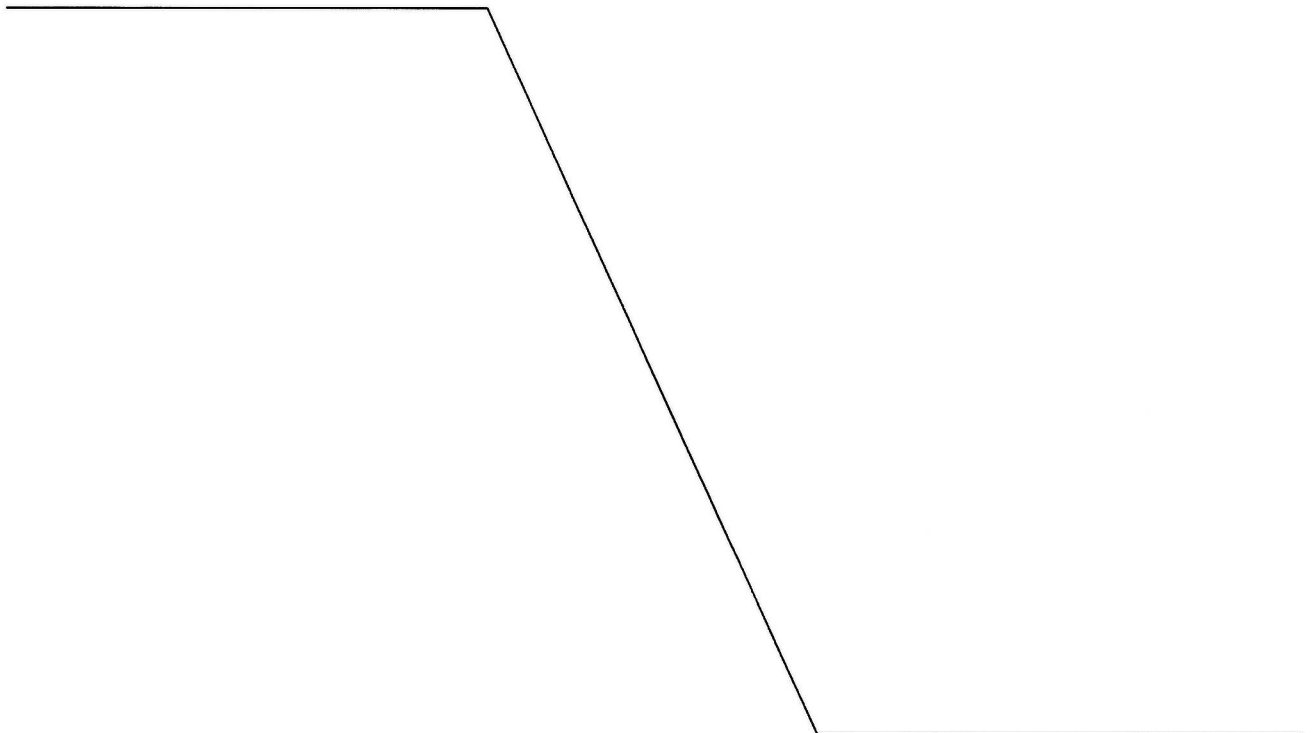


Tabelle 1: Produktübersicht der Würth Rohrschellen TIPP®SMARTLOCK 2GS

Bezeichnung		Schellenband	Artikelnummern	
Würth Rohrschellen TIPP®SMARTLOCK 2GS		Breite x Materialstärke		
Spannbereich	Nenngröße			
[mm]	[Zoll]	[mm]		
11-15	1/4"	20,0 x 1,50	0543 204	015
15-19	3/8"		0543 204	019
21-23	1/2"		0543 204	023
26-28	3/4"		0543 204	028
32-35	1"	20,0 x 1,50	0543 204	035
40-43	1 1/4"	23 x 2,00	0543 204	043
48-56	1 1/2"		0543 204	056
57-63	2"		0543 204	063
63-70	-		0543 204	070
74-80	2 1/2"		0543 204	080
81-85	-		0543 204	085
85-91	3"		0543 204	091
91-95	-		0543 204	095
96-100	-		0543 204	100
100-105	-		0543 204	105
108-114	4"		0543 204	114
115-125	-		0543 204	125
125-135	-		0543 204	135
135-140	5"		0543 204	140
140-144	-		0543 204	144
150-158	-		0543 204	158
159-169	6"	0543 204	169	

Die Würth Rohrschellen TIPP®SMARTLOCK 2GS sind für den Gebrauchszustand durch Technische Datenblätter der Firma Adolf Würth GmbH & Co. KG geregelt.

2.1 Allgemeine Anforderungen

Um die Funktion des Tragsystems zu gewährleisten, sind die folgenden Randbedingungen einzuhalten. Die konstruktive Ausführung der Schellenmontagesysteme ist außerdem der Anlage 1 zu entnehmen.

Die nachfolgende Beurteilung für die Würth Rohrschellen schließt eine Anwendung für Konstruktionen aus, die als Gesamtsystem (z.B. **Kabelanlagen mit integriertem Funktionserhalt und E-Kanäle** nach DIN4102-12 : 1998-11) eine Feuerwiderstandsklasse bzw. eine Funktionserhaltsklasse erfüllen müssen. Für derartige Anwendungen sind weitergehende Beurteilungen und Prüfungen des Gesamtsystems erforderlich.

2.2 Bemessungsvorschlag für die Schellenmontagesysteme (Bewertung hinsichtlich der max. Belastung)

Aufgrund der vorliegenden Prüfergebnisse werden für die TIPP@SMARTLOCK 2GS -M8/M10 (2GS 11/15 bis 2GS 159/169) aus verzinktem Stahl bei einer einseitigen Brandbeanspruchung gemäß DIN EN 1363-1 : 1999-10 Feuerwiderstandsdauern gemäß der folgenden Tabelle in Abhängigkeit von der maximalen Belastung empfohlen.

Tabelle 2-1: Feuerwiderstandsdauer der TIPP@SMARTLOCK 2GS -M8/M10 (2GS 11/15 bis 2GS 159/169) aus verzinktem Stahl in Verbindung mit entsprechenden Gewindestangen (Dimension M8 bzw. M10, Festigkeitsklasse ≥ 4.8) in Abhängigkeit von der maximalen Belastung

Würth Rohrschellen TIPP@SMARTLOCK 2GS	Feuerwiderstandsdauer in Abhängigkeit von der maximalen Belastung		
	t [min]		
	30	60	90
Spannbereich [mm]	max. N [kN]		
TIPP@SMARTLOCK 2GS 11/15 bis 26/28	0,28	0,17	0,12
TIPP@SMARTLOCK 2GS 32/35 bis 96/100	0,38	0,23	0,17
TIPP@SMARTLOCK 2GS 100/105 bis 159/169	0,32	0,17	0,10

2.3 Bemessungsvorschlag für die Schellenmontagesysteme (Bewertung hinsichtlich der Verformungen), unter Berücksichtigung der Anforderungen der Muster-Leitungsanlagen-Richtlinie (MLAR), Fassung vom 17.11.2005

Sofern Anforderungen der Muster-Leitungsanlagen-Richtlinie (MLAR), Fassung vom 17.11.2005, Abschnitt 3.5.3, eingehalten werden müssen, ist es oft notwendig, bei einer Brandbeanspruchung nach der Einheitstemperaturzeitkurve, die Belastungen hinsichtlich einer Feuerwiderstandsdauer

von 30 Minuten unter Berücksichtigung eines Mindestabstandes $\min. a \geq 50 \text{ mm}$ zu begrenzen (siehe auch Abbildung 2.1).

Für Anwendungen der Würth Rohrschellen werden im Folgenden Belastungen angegeben, durch die größere temperaturbedingte Vertikalverformungen der Würth Rohrschellen ausgeschlossen werden können. Mit den angegebenen Belastungen und der Einhaltung eines Mindestabstandes $\min. a \geq 50 \text{ mm}$ (z. B. Abstand zwischen Oberseite einer Unterdecke und der Unterseite der Würth Rohrschellen) kann in brandschutztechnischer Hinsicht eine Beeinträchtigung (z.B. einer Unterdecke) bedingt durch die Verformung unter Brandbeanspruchung der Würth Rohrschellen ausgeschlossen werden.

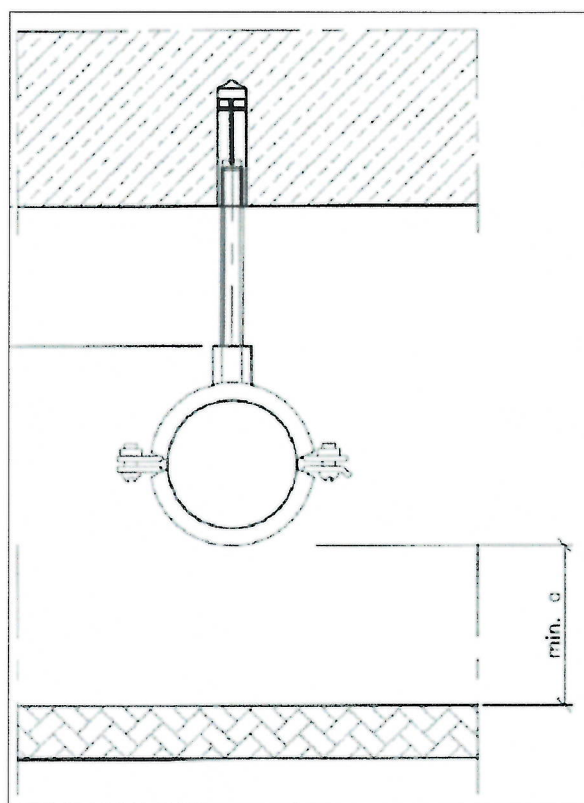


Abbildung 2-1: Exemplarische Darstellung der Anwendung von Würth Rohrschellen im Zwischendeckenbereich abgehängter, brandschutztechnisch relevanter Unterdeckenkonstruktionen

In der nachfolgenden Tabelle sind für Würth Rohrschellen maximale Belastungen für Mindestabstände $\min. a \geq 50 \text{ mm}$ zu darunter liegenden Bauteilen für Abhängehöhen $h \leq 500 \text{ mm}$ angegeben.

Tabelle 2-2: Maximale Belastung der Würth Rohrschellen TIPP@SMARTLOCK 2GS M8/M10 (2GS 11/15 bis 2GS 159/169) aus verzinktem Stahl nur in Verbindung mit entsprechenden Gewindestangen (Dimension M8 bzw. M10, Festigkeitsklasse ≥ 4.8) und einer Abhängehöhe $h \leq 500^2$) mm bei einer Feuerwiderstandsdauer von 30 Minuten und einem Mindestabstand $a \geq 50^1$) mm

Würth Rohrschellen TIPP@SMARTLOCK 2GS	Feuerwiderstandsdauer 30 Minuten
Spannbereich	Abhängehöhe $a \leq 500$ mm
[mm]	max N [kN]
TIPP@SMARTLOCK 2GS 11/15 bis 26/28	0,26
TIPP@SMARTLOCK 2GS 32/35 bis 96/100	0,34
TIPP@SMARTLOCK 2GS 100/105 bis 159/169	0,32

¹) Der Mindestabstand $\min a$ bezieht sich nur auf die Verformungen der Schellensysteme unter Brandbeanspruchung, zusätzliche Verformungen z.B. aus den Installationen (z.B. Rohre, Rohrschellen...) müssen ggf. gesondert untersucht werden.

²) Längere Abhängungen (maximale Abhängehöhe 1500 mm) können unter Berücksichtigung der thermischen Längenänderung der Gewindestangen berechnet werden.

Einbau muss gemäß Abschnitt 2.1 bis 2.3 unter Berücksichtigung der Anlage 1 erfolgen.

3 Besondere Hinweise

- 3.1 Diese gutachterliche Stellungnahme ersetzt nicht den Verwendbarkeitsnachweis (abP, abZ, ETA) nach dem deutschen bauaufsichtlichen Verfahren.
- 3.2 Diese gutachterliche Stellungnahme gilt nur für die geprüften Würth Rohrschellen TIPP@SMARTLOCK 2GS M8/M10 (2GS 11/15 bis 2GS 159/169) aus verzinktem Stahl unter Berücksichtigung der Randbedingungen der Technischen Datenblätter des Prüfberichtes bzw. der entsprechenden Technischen Datenblätter der Firma Adolf Würth GmbH & Co. KG.
- 3.3 Diese gutachterliche Stellungnahme für die o.g. Montagesysteme gilt nur in Verbindung mit entsprechenden Gewindestangen (Festigkeitsklasse ≥ 4.8) sowie mit Bauteilen, die mindestens in die Feuerwiderstandsklasse entsprechend der Montagesysteme eingestuft werden können.
- 3.4 Die Befestigung der Montagesysteme an Decken- bzw. Wandkonstruktionen der entsprechenden Feuerwiderstandsklasse muss mit Befestigungsmitteln erfolgen, für die ein entsprechender brandschutztechnischer Nachweis vorliegt.

Dübel müssen für den Untergrund und die Anwendung geeignet sein und den Angaben gültiger allgemeiner bauaufsichtlicher Zulassungen (abZ) des Deutschen Instituts für Bautechnik, Berlin bzw. einer europäisch technischen Zulassung (ETA), entsprechen. Sofern die Zulassung keine Aussagen zum Brandverhalten der Befestigungsmittel trifft, sind diese mit 2hef (doppelte Setztiefe) - mindestens jedoch 6 cm tief – und einer maximalen rechnerische Zugbelastung je Dübel von 500 N (vgl. DIN 4102-4: 1994-03, Abschnitt 8.5.7.5) einzubauen. Die ef-

fektive Setztiefe (h_{ef}) ist der gültigen Zulassung zu entnehmen. Alternativ dürfen Dübel verwendet werden, deren brandschutztechnische Eignung durch ein allgemeines bauaufsichtliches Prüfzeugnis belegt ist oder deren Eignung durch einen brandschutztechnischen Nachweis (z.B. Prüfung und Beurteilung durch eine anerkannte Prüfstelle) erbracht wurde.

Dübel sind entsprechend den Technischen Unterlagen (Montagerichtlinien) in der Regel entsprechend den Vorgaben in der Zulassung (abZ oder ETA) bzw. im allgemeinen bauaufsichtlichen Prüfzeugnis (abP) einzubauen. In jedem Fall muss die Eignung der Dübel für den Untergrund und die Anwendung auch für den kalten Einbauzustand nachgewiesen werden.

3.5 Die Gültigkeit dieser gutachterlichen Stellungnahme Nr. (3465/536/14) – CM endet am 03.07.2019.

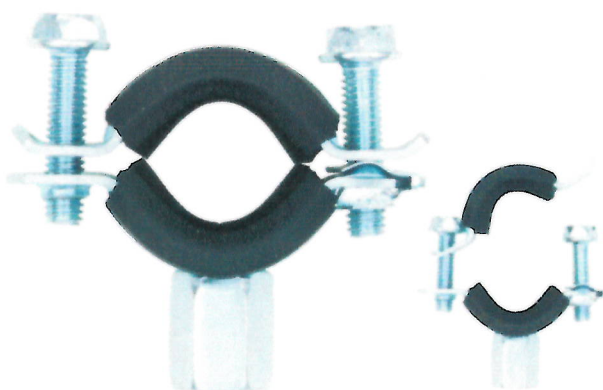

ORR Dr.-Ing. Blume
Fachbereichsleiter



Braunschweig, den 03.07.2014


i.A.
Dipl.-Ing. Maertins
Sachbearbeiter

ROHRSCHELLE TIPP® SMARTLOCK 2 GS



- Praktischer bewährter SMARTLOCK-Verschluss für schnelles und wirtschaftliches Befestigen der Rohre.
- Weites Öffnen der Rohrschelle möglich, dadurch schnelles und einfaches Einlegen des Rohres, speziell bei Überkopfmontage.
- 2 Verschlusschrauben zur besseren Anpassung an Rohrabmessungen.
- Beidseitige Sicherungskerben gegen Verlieren der Schrauben.
- Spannschrauben mit Sechskantkopf (SW 10) und zusätzlichem Innenantrieb.
- Bis Spannungsbereich 26-28 mm M6 x 25 mm, alle weiteren Abmessungen M6 x 30
- Neuartige Gummieinlage zur verbesserten Gleitung der Rohre beim Ausrichten in der Vormontage und sicherer Halt der Gummieinlage durch neuartiges Profil.
- Kombimutteranschluss M8/M10 SW 13, 4-Punkt verschweißbar.
- Praktische ORSY®-Verpackung mit Tragegriff.

Gummieinlage:

- Temperaturbeständig -40°C bis +120°C; EPDM.
- Brandverhalten B2 nicht brennend abtropfend.
- Silikonfrei, Schallsisolierung für DIN 4109.

Spann- bereich mm	Stahl DIN EN 10255 Zoll	Kupfer- DIN EN 1057 mm	Verbund- rohre mm	HT-Rohr DN	SML-Rohr DN	Anschluss- gewinde	max. empf. Belastung N	Art.-Nr.	VE St.
11-15	1/4"	12/15	12/15			M8 / M10	1.200	0543 204 015	150
15-19	3/8"	15/18	16/18			M8 / M10	1.200	0543 204 019	
21-23	1/2"	22	22			M8 / M10	1.200	0543 204 023	
26-28	3/4"	28	28			M8 / M10	1.200	0543 204 028	125
32-35	1"	35	35			M8 / M10	1.200	0543 204 035	100
40-43	1 1/4"	42	42	40		M8 / M10	1.500	0543 204 043	75
48-56	1 1/2"	54	50/54	50	40	M8 / M10	1.500	0543 204 056	60
57-63	2"				50	M8 / M10	1.500	0543 204 063	50
63-70		64	63			M8 / M10	1.500	0543 204 070	
74-80	2 1/2"	76,1	75/76,1	70	70	M8 / M10	1.500	0543 204 080	40
81-85					80	M8 / M10	1.500	0543 204 085	30
85-91	3"	88,9	88,9/90			M8 / M10	1.800	0543 204 091	
91-95*						M8 / M10	1.800	0543 204 095	
96-100*						M8 / M10	1.800	0543 204 100	20
100-105*						M8 / M10	1.800	0543 204 105	
108-114	4"	108	108/110	100	100	M8 / M10	1.800	0543 204 114	
115-125*						M8 / M10	1.800	0543 204 125	15
125-135			125			M8 / M10	1.800	0543 204 135	
135-140	5"	133			125	M8 / M10	1.800	0543 204 140	
140-144*						M8 / M10	1.800	0543 204 144	10
150-158*						M8 / M10	1.800	0543 204 158	
159-169	6"	159	160	150	150	M8 / M10	1.800	0543 204 169	

* für Sondergrößen HT-Rohr, PVC-Druckrohr DIN 8052, Präzisionsrohr DIN 2391 und Edelstahlrohr nach DIN EN 10256